

TWEEZLE

User Manual

TWEEZLE

Ident mark for the self-securing system

SAFE LINK

Subject to technical changes

BRIEF DESCRIPTION

INTENDED USE

The ident mark TWEEZLE serves to identify the safety rope/anchor points and to lock the securing system SAFE LINK SSB.

TWEEZLES in different colours can be used to mark evacuation paths and courses of varying difficulty.

All other uses are deemed improper. The company BORNACK will not be liable for any ensuing damages. The user bears the sole risk.

FUNCTION

The ident mark serves to lock the securing system SAFE LINK SSB.

EQUIPMENT

- 2 TWEEZLE halves for rope \varnothing 12.0 mm
- 4 screws M5
- If necessary depending on the diameter of the securing rope, appropriate adapters for ropes with diameters 9, 10 and 11 mm
- available in various colours

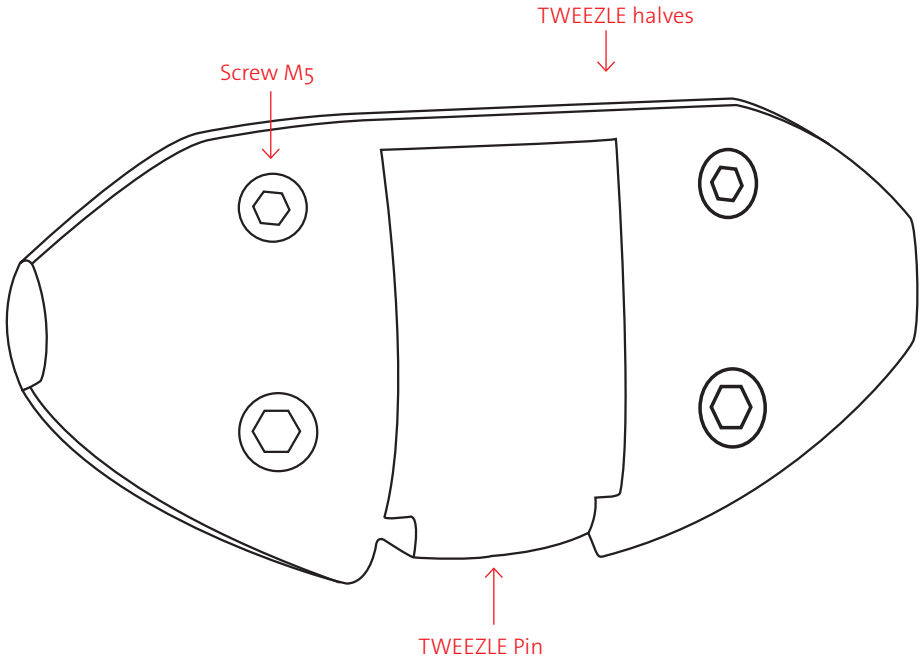
USE

Ident mark for the SAFE LINK securing system.

GENERAL INFORMATION

It should be attached using a cordless screwdriver with an Allen bit 3.0

TWEEZLE



INFORMATION BEFORE MOUNTING



Always check before use!

- Anchor points may only be fitted by qualified persons.
- Ensure that the stations are sufficiently strong.
- Ensure that both children and adults can reach the TWEEZLEs easily. If necessary, attach pedestals to the platforms.
- To ensure best climbing fun with the SSB system, BORNACK recommends installing the securing ropes at a height of 1.60 m to 2.00 m, depending on the SSB length and size of the visitors. Observe/read the User Manual of the SSB system.
- The evacuation TWEEZLE and the course TWEEZLE must differ in colour.
- It should be possible to reach the TWEEZLE without excessive bending of the SSB system.
- The meaning of the colours must be clearly explained in the initial briefing because simultaneous tweezing with both karabiners can damage the Bowden cable in the long-term.
- We recommend installing waiting loops so that slower guests can be overtaken and several people can wait on a platform.
- In the waiting loops, the colour of the TWEEZLE must be the same as those in the course direction.
- Avoid courses where guests are tempted to trick or manipulate the system, e.g. labyrinths, dead ends.

VISUAL/FUNCTION TEST

- Ensure that the TWEEZLE is undamaged before mounting.
- Test the function of the ident marks on the SAFE LINK SSB securing system before using.

MOUNTING / USE OF THE TWEEZLE

MOUNTING

A Mount the TWEEZLE as close as possible to the obstacle that needs to be passed (tree).

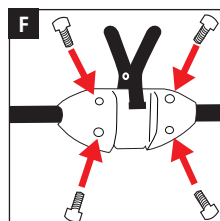
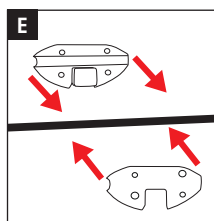
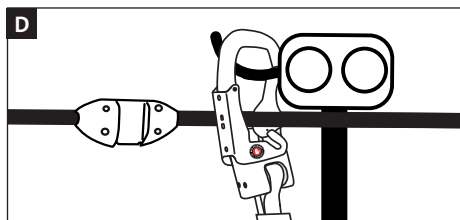
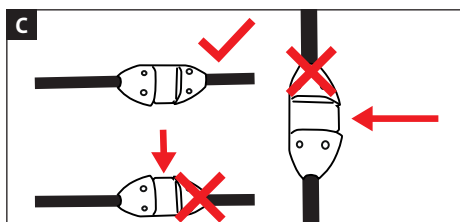
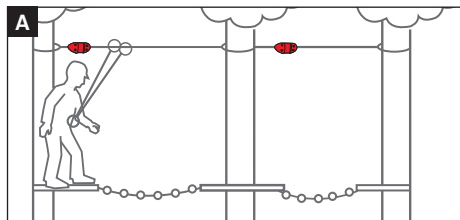
B The clearances between the TWEEZLES must be kept as small as possible but far enough apart so that it is not possible to skip or tweeze both karabiners at the same time and bend the SSB.

C Ensure that the TWEEZLE is mounted so that the SSB hook falls down after tweezing. This avoids bending loads. Avoid vertical ascent.

D On rope slides, attach the TWEEZLES so that the SSB karabiner cannot become caught at the start, i.e. steps must be taken to ensure that the SSB does not get stuck in the TWEEZLE or slide behind it.

E Place the TWEEZLE halves onto the securing rope.

F If necessary affix using the assembly clamps
Screw the screws M5 into TWEEZLE using a cordless screwdriver.



CAUTION:

Ensure that the torque of the cordless screwdriver is set at a soft level. Avoid over-screwing as this could damage the TWEEZLE.



CAUTION:

The securing rope should be attached at a height of at least 1.60 m.



SAFETY INSTRUCTIONS

There is a risk to life if these safety instructions are not observed!

- RISK OF LIFE-THREATENING INJURIES: It is prohibited to stand under suspended loads! Wear a safety helmet!
- Attachment points may no longer be used even in the case of very minor faults.
- Independent modifications or repairs are not allowed.
- Only use after being briefed personally. Only use under supervision.
- Clothing and shoes must be suitable for the task at hand and the weather conditions.
- Only use if fully fit and healthy. Health impairments can jeopardise the safety of the user.
- Before using, ensure adequate clearance below the user to prevent impact on a protruding object or the ground.
- Protect personal protective equipment during storing, use and transportation against the effects of heat (e.g. welding flames or sparks, burning cigarettes) and chemicals (e.g. acids, alkalis, oils, etc.) and mechanical effects (e.g. sharp edges).
- Rope courses must comply with EN 15567-1. Forces resulting from user falls may not exceed 6 kN.
- Check the compatibility of the ropes approved for the application!

OTHER

APPROVAL

Quality management system certified to DIN EN ISO 9001.

SALES

The dealer must ensure that the User Manual is supplied in the language of the designated country. The respective translation must be authorised by BORNACK.

SERVICE

If you have any further questions about safe use of this PPE or other BORNACK services, such as:

- Risk analysis
- Rescue plans
- Training courses
- Expert inspections

Please send your question to our E-Mail-Hotline: info@bornack.de

We will be happy to help!

REGULAR INSPECTION

- Sling equipment, harnesses and lanyards must be inspected regularly, however at least once a year, by an expert. The result must be documented in the test card at the end of this User Manual.
- PPE and securing systems used in rope course parks are subject to an extremely high usage frequency. Greater levels of wear can be expected. The test cycles must be adapted accordingly!

MAINTENANCE

Maintenance may only be carried out by a qualified expert. All instructions in this User Manual or any maintenance instructions must be strictly observed.

Protective equipment that is well looked after will last longer!

CLEANING

- Dry damp personal protective equipment in the air, not on artificial heat sources. Dry metal components with cloths.
- Clean soiled textile components (e.g. arrester harnesses and ropes) with lukewarm water and a little detergent for delicates. Then rinse carefully and allow to dry in the air. Other cleaning agents are not allowed!
- If disinfection is necessary, please contact the e-mail hotline: [Contact hotline: info@bornack.de](mailto:info@bornack.de)
- If the personal protective equipment comes into contact with saltwater, keep it wet until it can be rinsed with plenty of distilled water.

REPAIRS

- Repairs may only be carried out by the manufacturer.
- Only original spare parts from the manufacturer may be used.



FALLSTOP

Safety equipment for securing and rescuing at heights and depths

SAFEPOINT

Project and installation of stationary securing systems.

BORNACK GmbH & Co.KG

Bustadt 39
74360 Ilsfeld
Germany

Tel + 49 (0) 70 62 / 26 90 0-0
Fax + 49 (0) 70 62 / 26 90 0-550
info@bornack.de
www.bornack.de

